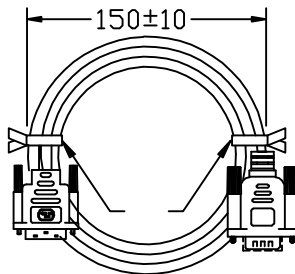
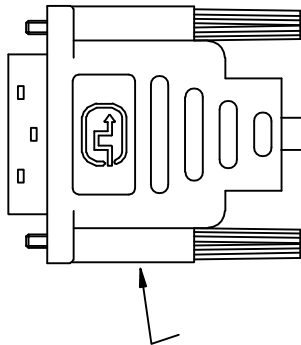
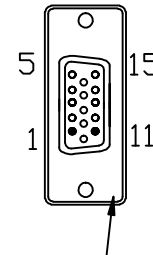
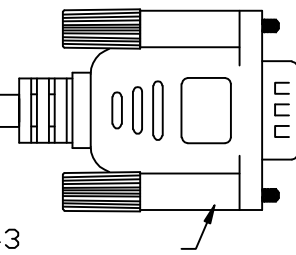


P1

Internal model:T-0141
Outside model:T-0142



Internal model:T-0143
Outside model:T-0145
Screw die:T-0128



P2

CONNECTION TABLE

P1	WIRE COLOR	P2
C1	RED	1
C5	D	6
C2	GREEN	2
C5	D	7
C3	BLUE	3
C5	D	8
C4	PURPLE	13
6	ORANGE	15
7	BROWN	12
8	GRAY	14
15	RED	5,10
14,16	WHITE	9

CIRCUIT

← SHEEL DRAIN+BRAID SHEET ←

10	RIBBON	PVC MINI TIE COLOR:BLACK L:4"(RoHS)	2
9	TUBE	UL HEAT SHRINKABLE TUBE DD:1.5 l:17MM	1
8	CU FOIL	SINGLE SIDE CONDUCTIVE COPPER FOIL L:75*W:25mm(RoHS)	2
7	PLASTIC	45P-PVC FOR OUTER MOLDING PLASTIC COLOR:BLACK(RoHS)	20G
6	PLASTIC	LD-PE FOR PRE-MOLDING COLOR:TRANSPARENT(RoHS)	12G
5	SCREW	4-40# SCREW NI-PLATED COLOR:BLACK L=47.5mm(RoHS)	2
4	SCREW	4.0*37.5 A 4-40UNC NI-PLATED(RoHS)	2
3	CONN	DVI 12+5 MALE PLASTIC BLACK, SHELL NI-PLATED, PIN GOLD-FLASH(PIN 3,4,5,9,10,11,12,13,19,20,21,22 No needle) Solder type(RoHS)	2
2	CONN	HDB15PIN MALE PLASTIC BLACK, SHELL NI-PLATED, PIN GOLD FLASH	1
1	CABLE	UL2919[30AWG(7/0.10TC)*1C+SP(15/0.10CCS)]*3C+30AWG(7/0.10TC)*1P+30AWG(7/0.10TC)*4C+AL+BD(64/0.10TCCS) +PVC DD:5.5 L:1800mm (RoHS)	1
NO.	ITEM	DESCRIPTION	QT'Y

